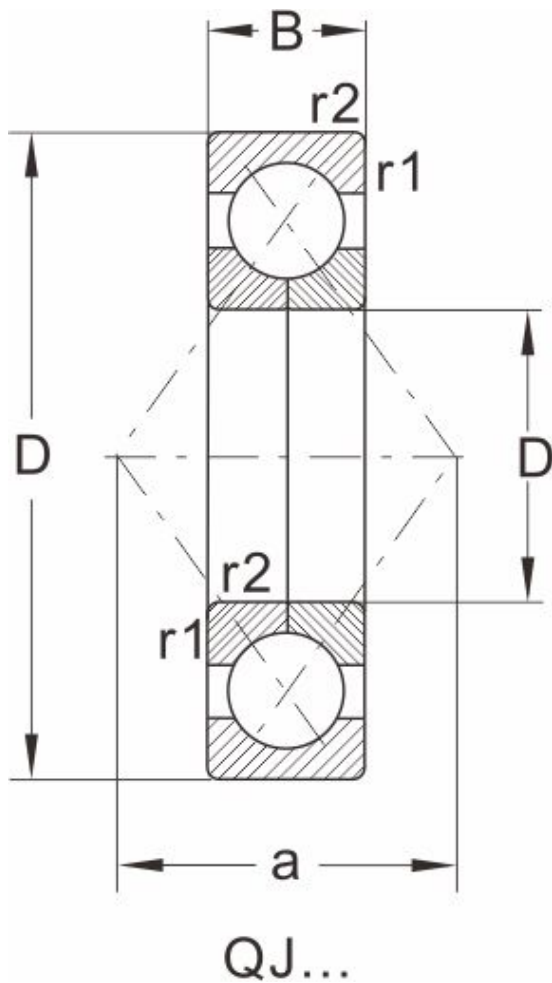


# QJ340N2.MPA

## Dimensions and Parameters



Designation	QJ340N2.MPA
Boundary dimensions [mm]	
d	200
D	420
B	80
r1,r2 Min	5
a	217.1
an	15
bn	12.5
rn	--
Load ratings(kN)	
dyn Cr	570
stat Cor	1270
Speed ratings(rpm )	
grease	1200
oil	1600
Mass	
Kg	55.3