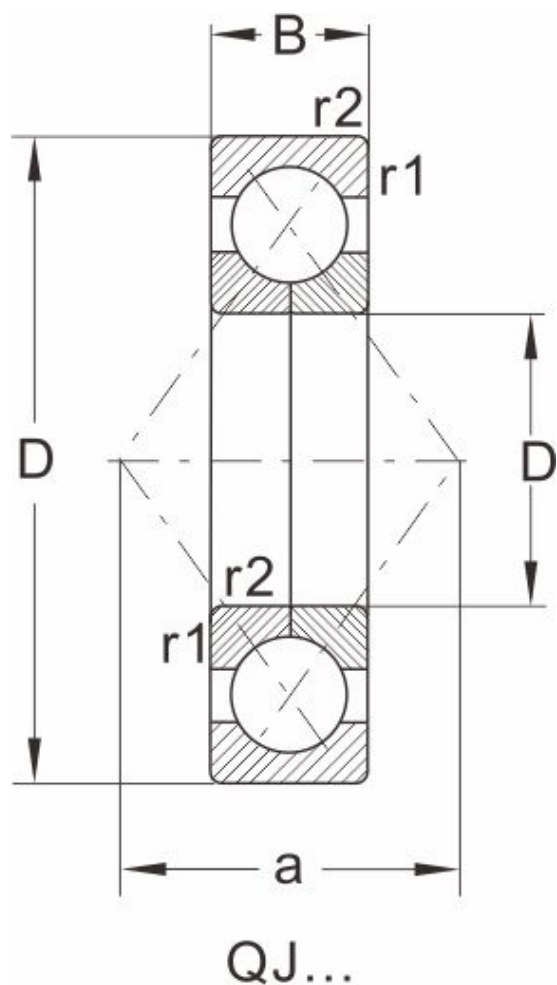


QJ338N2.MPA

Dimensions and Parameters



Designation	QJ338N2.MPA
Boundary dimensions [mm]	
d	190
D	400
B	78
r1,r2 Min	5
a	207
an	12.7
bn	10.5
rn	--
Load ratings(kN)	
dyn Cr	735
stat Cor	1250
Speed ratings(rpm)	
grease	1200
oil	1600
Mass	
Kg	52.1