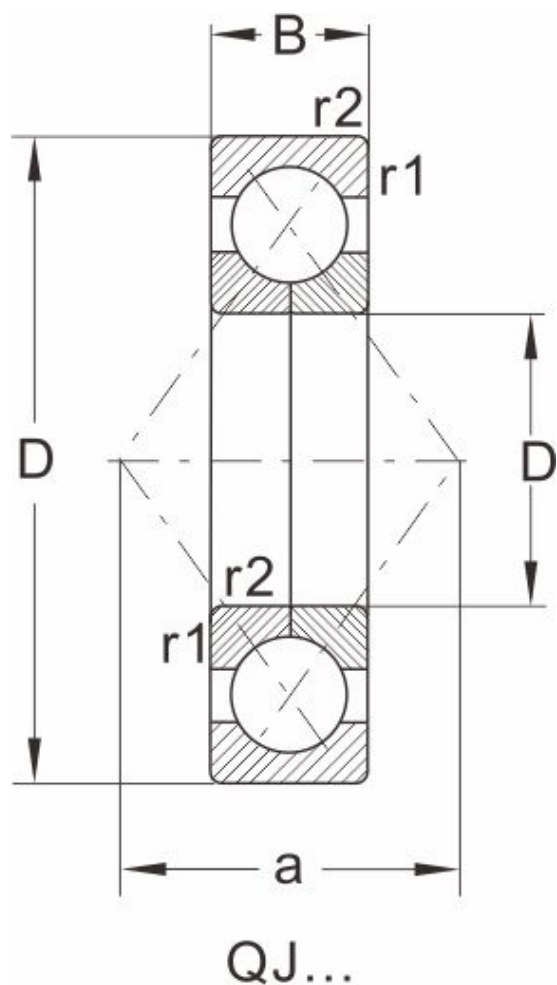


QJ328N2.MPA

Dimensions and Parameters



Designation	QJ328N2.MPA
Boundary dimensions [mm]	
d	140
D	300
B	62
r1,r2 Min	4
a	154
an	12.7
bn	10.5
rn	--
Load ratings (kN)	
dyn Cr	468
stat Cor	640
Speed ratings (rpm)	
grease	1700
oil	2400
Mass	
Kg	23