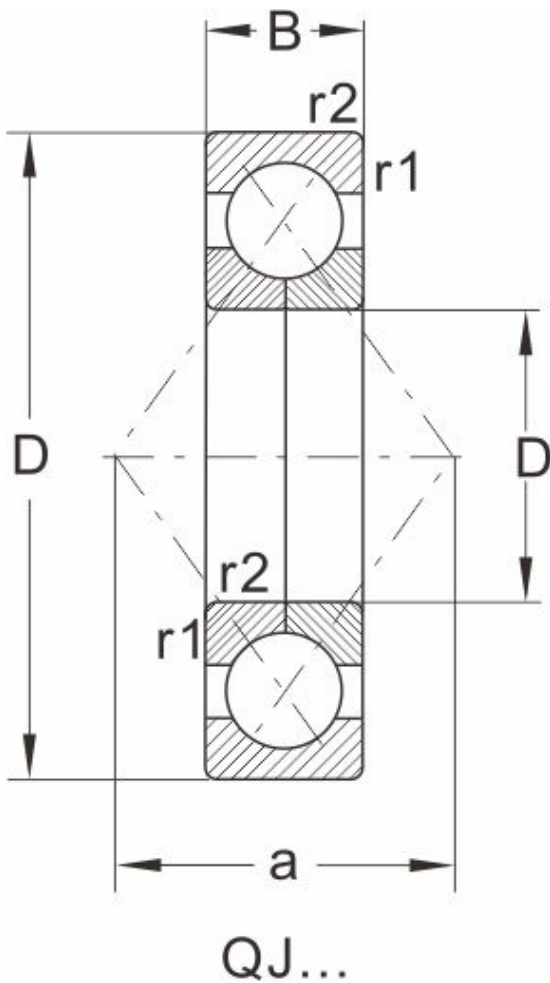


QJ315 N2.MPA

Dimensions and Parameters



Designation	QJ315 N2.MPA
Boundary dimensions [mm]	
d	75
D	160
B	37
r1,r2 Min	2.1
a	82
an	10.1
bn	8.5
rn	2
Load ratings (kN)	
dyn Cr	212
stat Cor	204
Speed ratings (rpm)	
grease	3400
oil	4500
Mass	
Kg	3.93