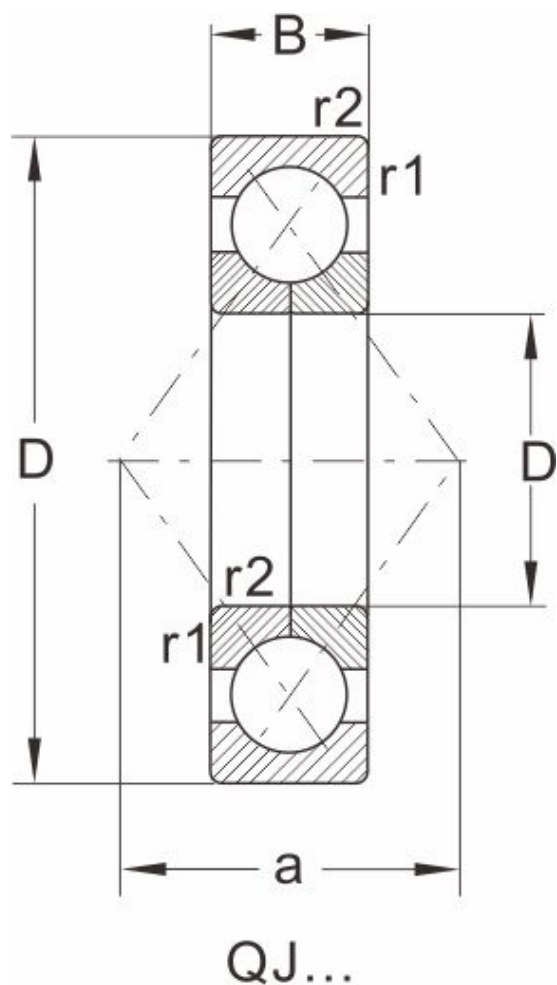


# QJ310.MPA

## Dimensions and Parameters



Designation	QJ310.MPA
Boundary dimensions [mm]	
d	50
D	110
B	27
r1,r2 Min	2
a	56
an	--
bn	--
rn	--
Load ratings (kN)	
dyn Cr	118
stat Cor	99
Speed ratings (rpm)	
grease	5000
oil	6700
Mass	
Kg	1.37