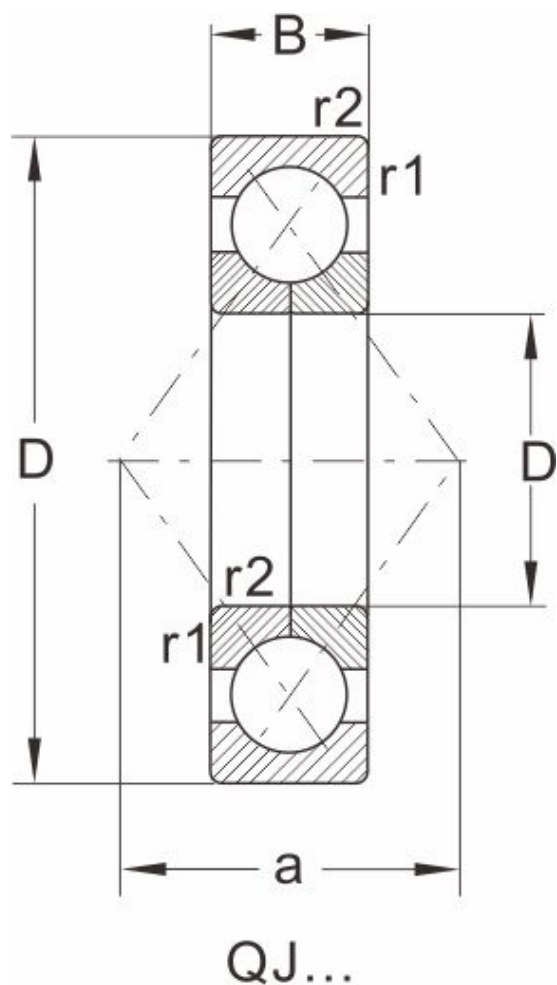


# QJ252N2.MPA

## Dimensions and Parameters



| Designation              | QJ252N2.MPA |
|--------------------------|-------------|
| Boundary dimensions [mm] |             |
| d                        | 260         |
| D                        | 480         |
| B                        | 80          |
| r1,r2 Min                | 5           |
| a                        | 259         |
| an                       | 15          |
| bn                       | 12.5        |
| rn                       | --          |
| Load ratings(kN)         |             |
| dyn Cr                   | 728         |
| stat Cor                 | 1430        |
| Speed ratings(rpm )      |             |
| grease                   | 900         |
| oil                      | 1300        |
| Mass                     |             |
| Kg                       | 68          |