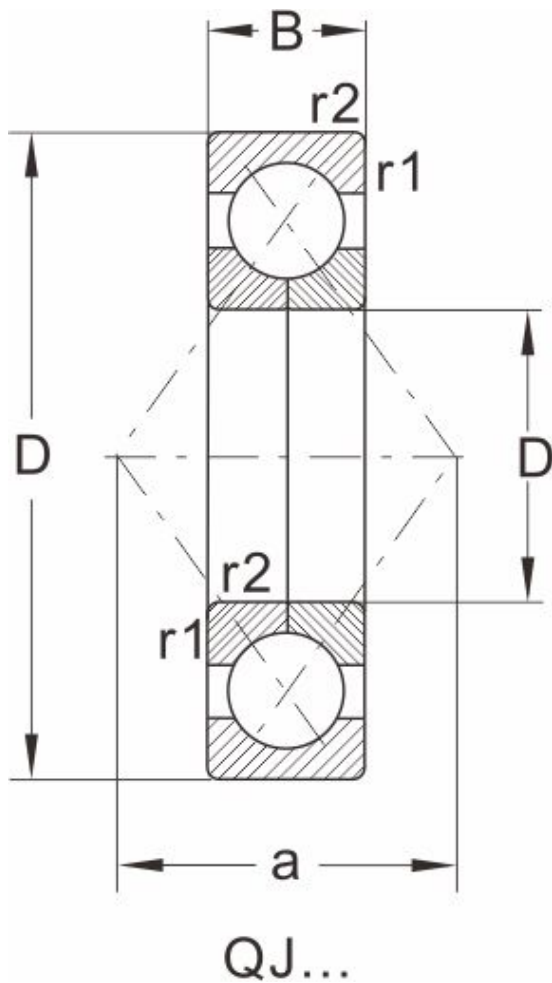


# QJ244N2.MPA

## Dimensions and Parameters



Designation	QJ244N2.MPA
Boundary dimensions [mm]	
d	220
D	400
B	65
r1,r2 Min	4
a	217
an	12.7
bn	10.5
rn	2
Load ratings (kN)	
dyn Cr	553
stat Cor	980
Speed ratings (rpm)	
grease	1100
oil	1600
Mass	
Kg	39.5