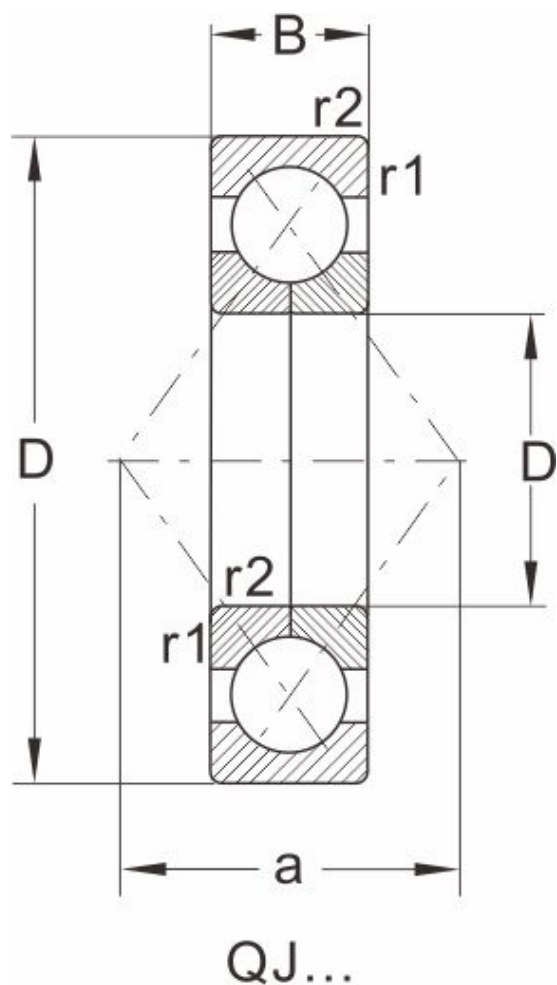


QJ223N2.MPA

Dimensions and Parameters



Designation	QJ223N2.MPA
Boundary dimensions [mm]	
d	180
D	320
B	52
r1,r2 Min	4
a	175
an	12.7
bn	10.5
rn	2
Load ratings (kN)	
dyn Cr	436
stat Cor	680
Speed ratings (rpm)	
grease	1500
oil	2000
Mass	
Kg	20.5