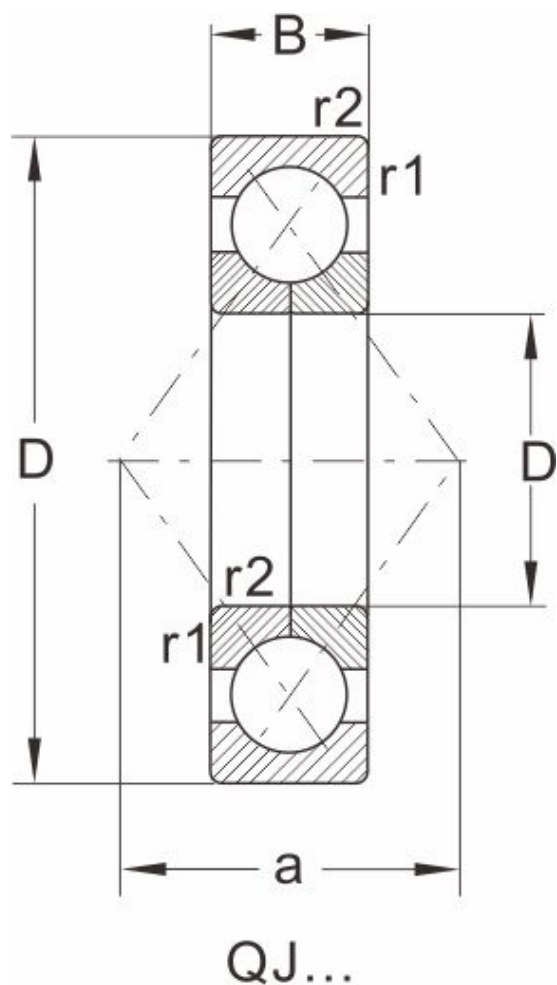


QJ219 N2.MPA

Dimensions and Parameters



| Designation | QJ219 N2.MPA |
|--------------------------|--------------|
| Boundary dimensions [mm] | |
| d | 95 |
| D | 170 |
| B | 32 |
| r1,r2 Min | 2.1 |
| a | 93 |
| an | 8.1 |
| bn | 6.5 |
| rn | 1 |
| Load ratings (kN) | |
| dyn Cr | 199 |
| stat Cor | 213 |
| Speed ratings (rpm) | |
| grease | 3000 |
| oil | 4000 |
| Mass | |
| Kg | 3.37 |