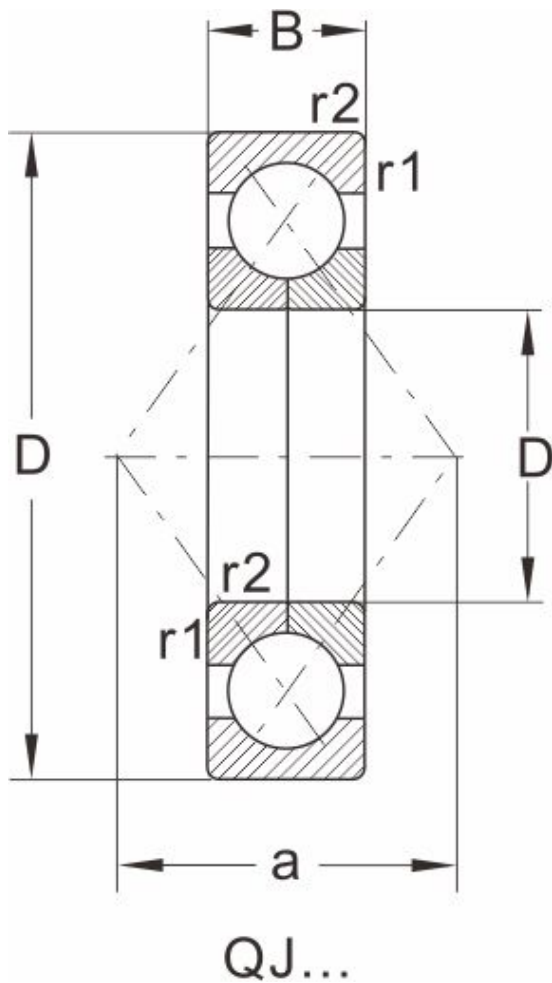


QJ215.MPA

Dimensions and Parameters



Designation	QJ215.MPA
Boundary dimensions [mm]	
d	75
D	130
B	25
r1,r2 Min	1.5
a	72
an	--
bn	--
rn	--
Load ratings (kN)	
dyn Cr	118
stat Cor	123
Speed ratings (rpm)	
grease	4000
oil	5300
Mass	
Kg	1.77