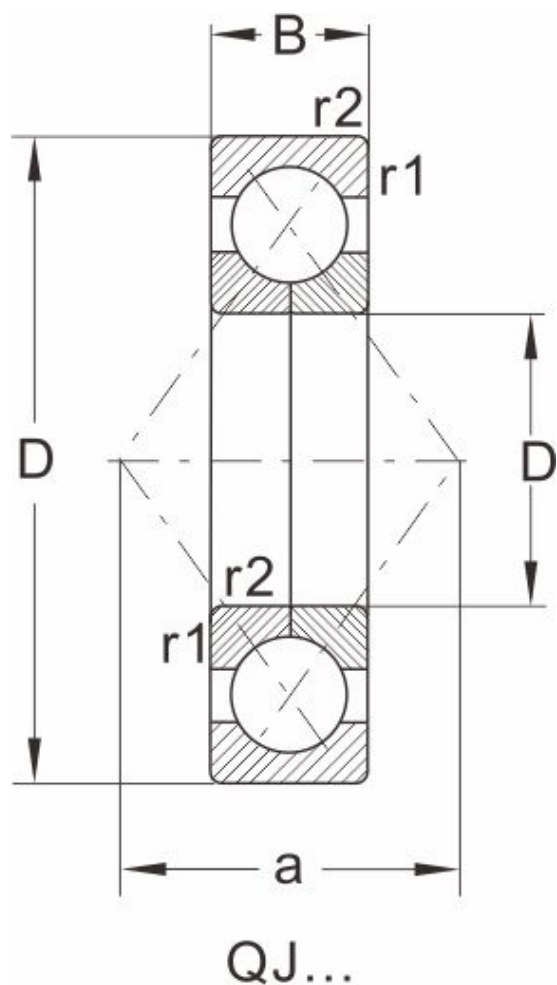


QJ214.MPA

Dimensions and Parameters



| Designation | QJ214.MPA |
|--------------------------|-----------|
| Boundary dimensions [mm] | |
| d | 70 |
| D | 125 |
| B | 24 |
| r1,r2 Min | 1.5 |
| a | 68 |
| an | -- |
| bn | -- |
| rn | -- |
| Load ratings(kN) | |
| dyn Cr | 114 |
| stat Cor | 115 |
| Speed ratings(rpm) | |
| grease | 4300 |
| oil | 5600 |
| Mass | |
| Kg | 1.39 |