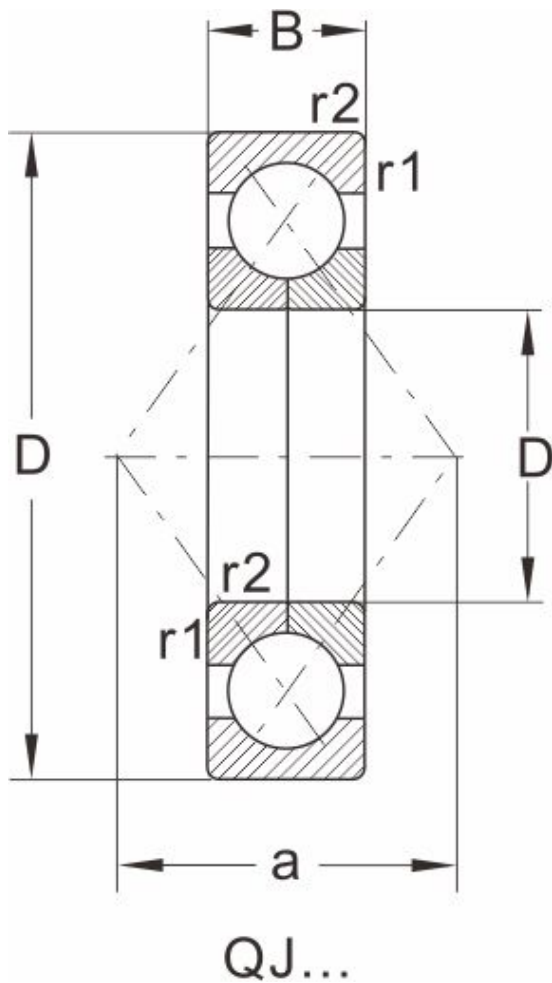


# QJ213.MPA

## Dimensions and Parameters



Designation	QJ213.MPA
Boundary dimensions [mm]	
d	65
D	120
B	23
r1,r2 Min	1.5
a	65
an	--
bn	--
rn	--
Load ratings (kN)	
dyn Cr	109
stat Cor	106
Speed ratings (rpm)	
grease	4300
oil	5600
Mass	
Kg	1.24