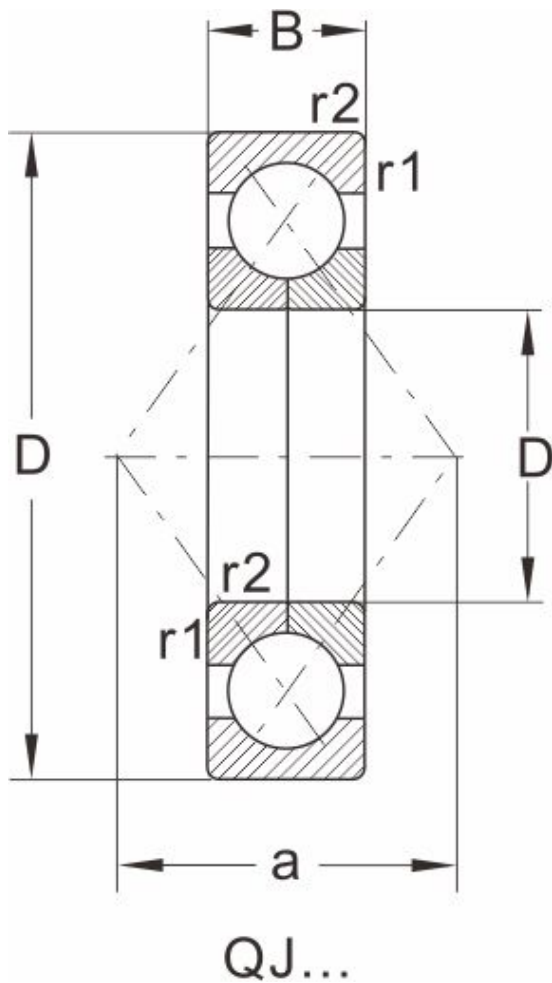


QJ207.MPA

Dimensions and Parameters



Designation	QJ207.MPA
Boundary dimensions [mm]	
d	35
D	72
B	17
r1,r2 Min	1.1
a	42
an	--
bn	--
rn	--
Load ratings (kN)	
dyn Cr	49.8
stat Cor	40
Speed ratings (rpm)	
grease	7500
oil	10000
Mass	
Kg	0.46