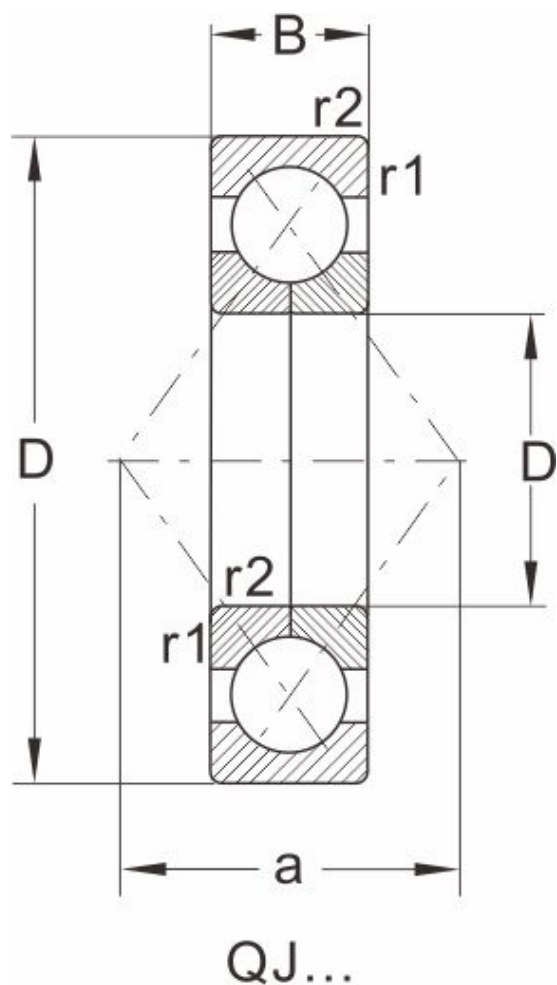


QJ1292N2.MPA

Dimensions and Parameters



Designation	QJ1292N2.MPA
Boundary dimensions [mm]	
d	460
D	680
B	100
r1,r2 Min	6
a	399
an	20
bn	15.5
rn	--
Load ratings (kN)	
dyn Cr	1040
stat Cor	2650
Speed ratings (rpm)	
grease	600
oil	800
Mass	
Kg	130