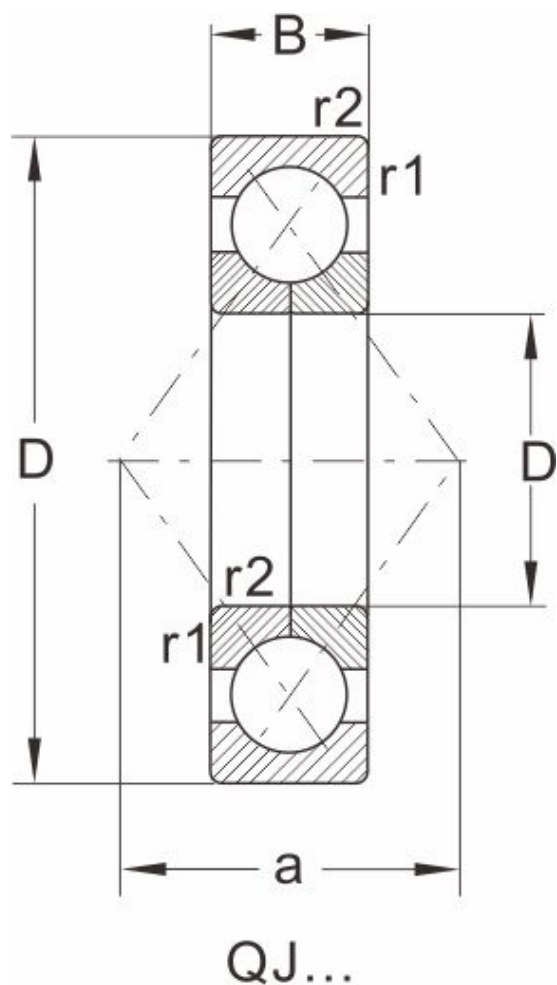


# QJ1288N2.MPA

## Dimensions and Parameters



Designation	QJ1288N2.MPA
Boundary dimensions [mm]	
d	440
D	790
B	155
r1,r2 Min	7.5
a	615
an	32
bn	20.5
rn	--
Load ratings(kN)	
dyn Cr	1400
stat Cor	3750
Speed ratings(rpm )	
grease	560
oil	750
Mass	
Kg	350