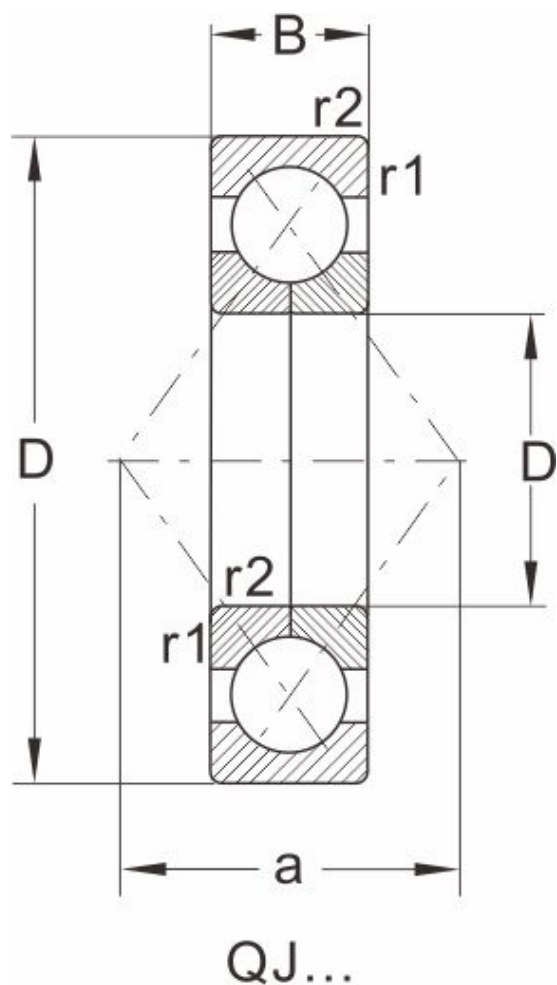


# QJ1088N2.MPA

## Dimensions and Parameters



Designation	QJ1088N2.MPA
Boundary dimensions [mm]	
d	440
D	650
B	94
r1,r2 Min	6
a	382
an	20
bn	15.5
rn	--
Load ratings(kN)	
dyn Cr	995
stat Cor	2500
Speed ratings(rpm )	
grease	630
oil	850
Mass	
Kg	115