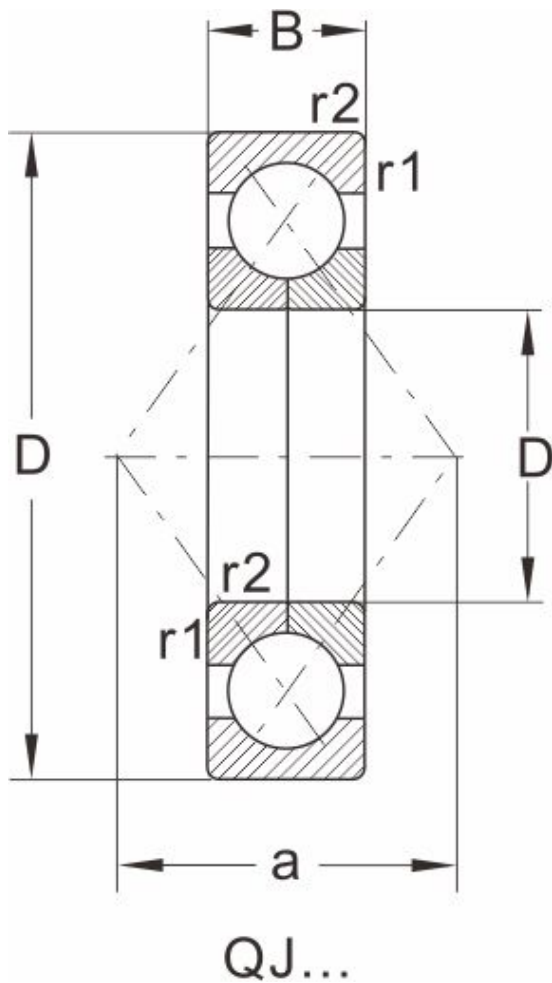


# QJ1084N2.MPA

## Dimensions and Parameters



| Designation              | QJ1084N2.MPA |
|--------------------------|--------------|
| Boundary dimensions [mm] |              |
| d                        | 420          |
| D                        | 620          |
| B                        | 90           |
| r1,r2 Min                | 5            |
| a                        | 364          |
| an                       | 15           |
| bn                       | 12.5         |
| rn                       | --           |
| Load ratings(kN)         |              |
| dyn Cr                   | 923          |
| stat Cor                 | 2280         |
| Speed ratings(rpm )      |              |
| grease                   | 670          |
| oil                      | 900          |
| Mass                     |              |
| Kg                       | 99.5         |