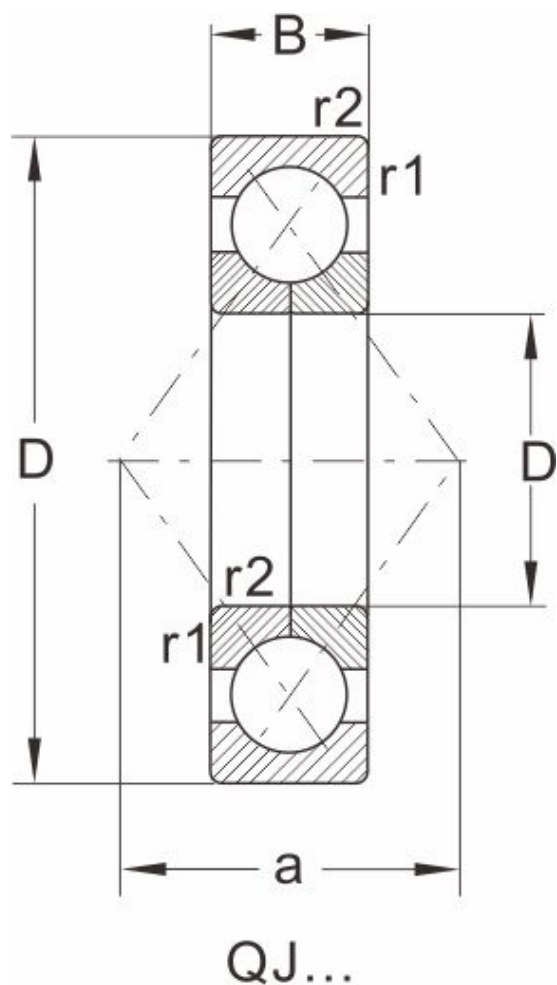


# QJ1060N2.MPA

## Dimensions and Parameters



Designation	QJ1060N2.MPA
Boundary dimensions [mm]	
d	300
D	460
B	74
r1,r2 Min	4
a	266
an	15
bn	12.5
rn	--
Load ratings(kN)	
dyn Cr	650
stat Cor	1340
Speed ratings(rpm )	
grease	900
oil	1300
Mass	
Kg	47.5