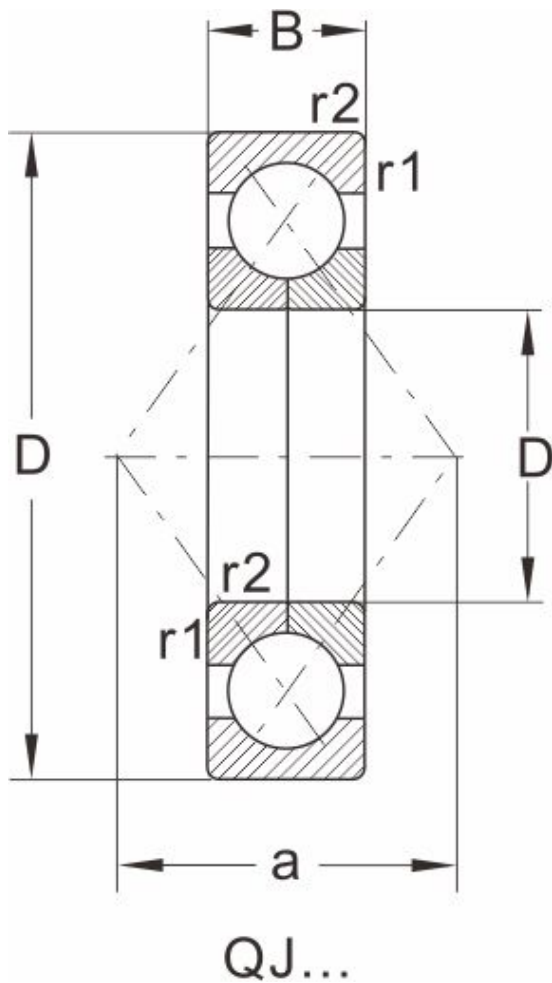


QJ1034N2.MPA

Dimensions and Parameters



Designation	QJ1034N2.MPA
Boundary dimensions [mm]	
d	170
D	260
B	42
r1,r2 Min	2.1
a	151
an	--
bn	--
rn	1
Load ratings(kN)	
dyn Cr	292
stat Cor	410
Speed ratings(rpm)	
grease	1700
oil	2400
Mass	
Kg	8.23