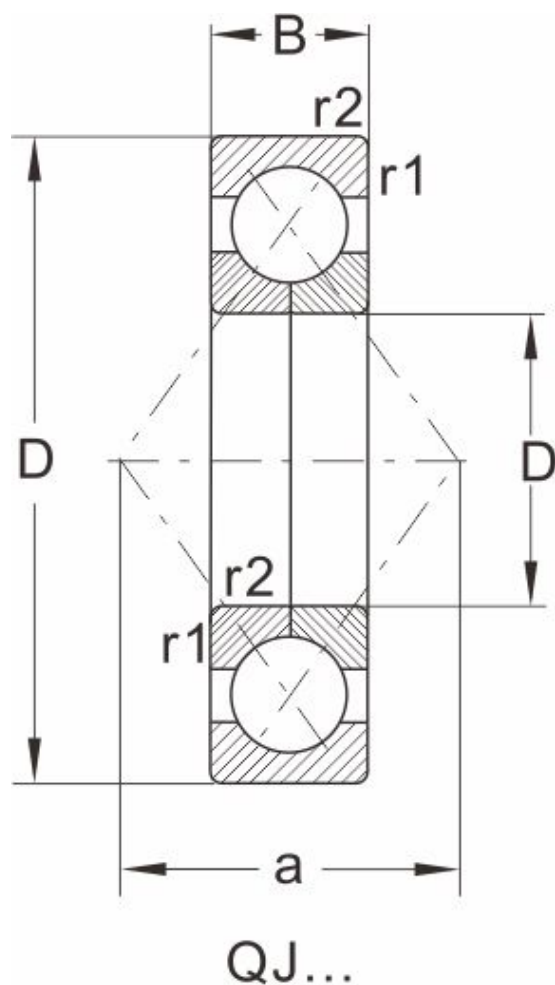


# QJ1030N2.MPA

## Dimensions and Parameters



Designation	QJ1030N2.MPA
Boundary dimensions [mm]	
d	160
D	240
B	38
r1,r2 Min	2.1
a	140
an	10.1
bn	8.5
rn	1
Load ratings (kN)	
dyn Cr	247
stat Cor	355
Speed ratings (rpm)	
grease	1800
oil	2600
Mass	
Kg	6.45