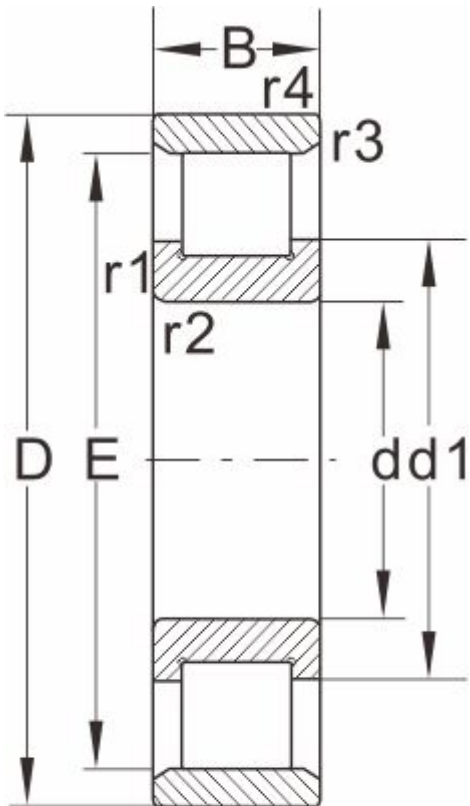


NUP236E.M

Dimensions and Parameters



N....

Bearing NO.	NUP236E.M
-------------	-----------

Dimension

d	180
D	320
B	52
r1 r2 min	4
r3 r4 min	4
S ≈	-

Basic load ratings

Dynamic(Cr)	610
Static(Cor)	830

Limiting speed(rpm)

Grease	1800
Oil	2200

Bearing Dimension

E	--
F	217
d1 ≈	230.2
D1 ≈	277.2

Oblique retaining ring

B2	--
B3	--

Weight

Bearing	19
Oblique retaining ring	--