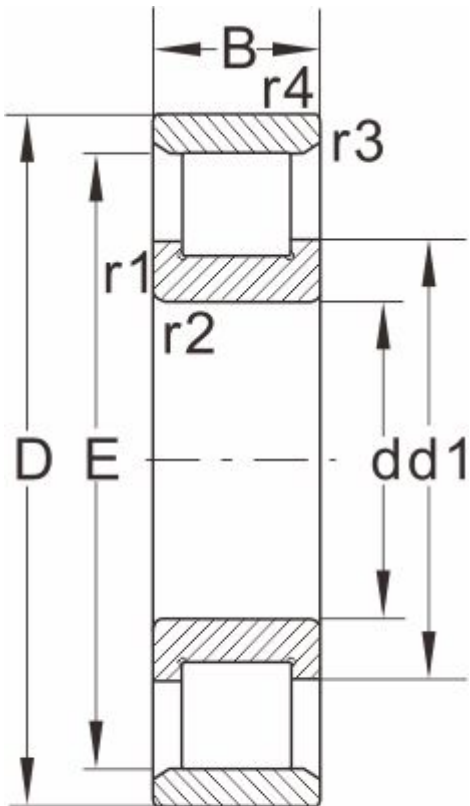


# NUP2215E

## Dimensions and Parameters



N....

Bearing NO.	NUP2215E
-------------	----------

### Dimension

d	75
D	130
B	31
r1 r2 min	1.5
r3 r4 min	1.5
S ≈	--

### Basic load ratings

Dynamic(Cr)	163
Static(Cor)	208

### Limiting speed(rpm )

Grease	4500
Oil	5300

### Bearing Dimension

E	--
F	88.5
d1 ≈	94.5
D1 ≈	113.2

### Oblique retaining ring

B2	--
B3	--

### Weight

Bearing	1.6
Oblique retaining ring	--