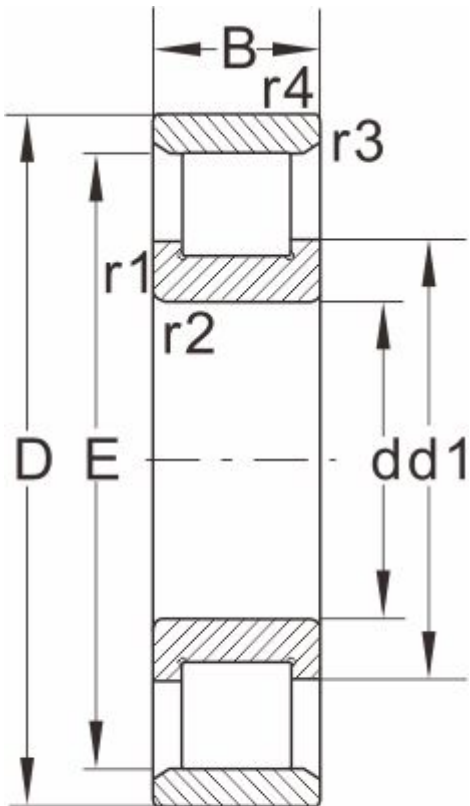


NU38/900**Dimensions and Parameters**

N....

Bearing NO.	NU38/900
Dimension	
d	900
D	1090
B	140
r1 r2 min	5
r3 r4 min	5
S ≈	--
Basic load ratings	
Dynamic(Cr)	2990
Static(Cor)	8600
Limiting speed(rpm)	
Grease	--
Oil	--
Bearing Dimension	
E	--
F	950
d1 ≈	--
D1 ≈	--
Oblique retaining ring	
B2	--
B3	--
Weight	
Bearing	269
Oblique retaining ring	--