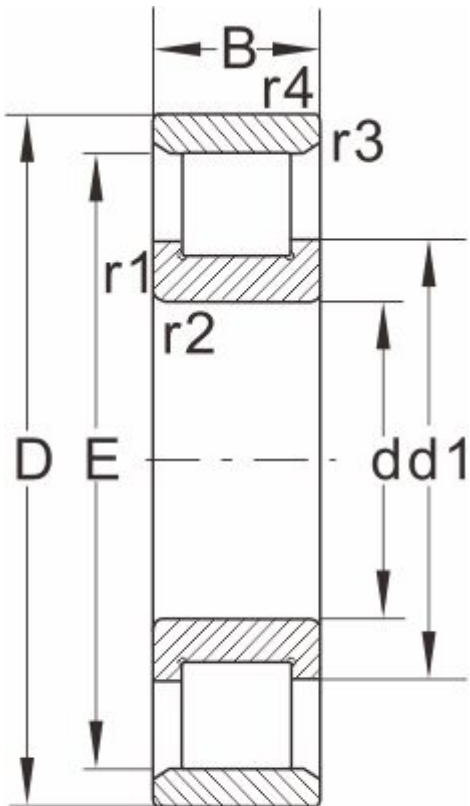


NU38/670M**Dimensions and Parameters**

N....

Bearing NO.	NU38/670M
-------------	-----------

Dimension

d	670
D	820
B	112
r1 r2 min	4
r3 r4 min	4
S ≈	--

Basic load ratings

Dynamic(Cr)	1920
Static(Cor)	5200

Limiting speed(rpm)

Grease	530
Oil	630

Bearing Dimension

E	--
F	711
d1 ≈	--
D1 ≈	--

Oblique retaining ring

B2	--
B3	--

Weight

Bearing	128
Oblique retaining ring	--