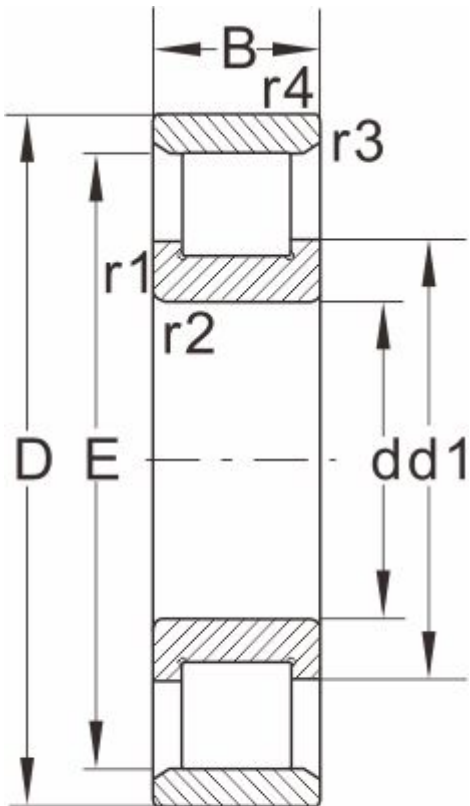


NU29/850

Dimensions and Parameters



N....

Bearing NO.	NU29/850
Dimension	
d	850
D	1120
B	155
r1 r2 min	6
r3 r4 min	6
S ≈	--
Basic load ratings	
Dynamic(Cr)	4450
Static(Cor)	10500
Limiting speed(rpm)	
Grease	--
Oil	--
Bearing Dimension	
E	--
F	917
d1 ≈	--
D1 ≈	--
Oblique retaining ring	
B2	--
B3	--
Weight	
Bearing	426
Oblique retaining ring	--