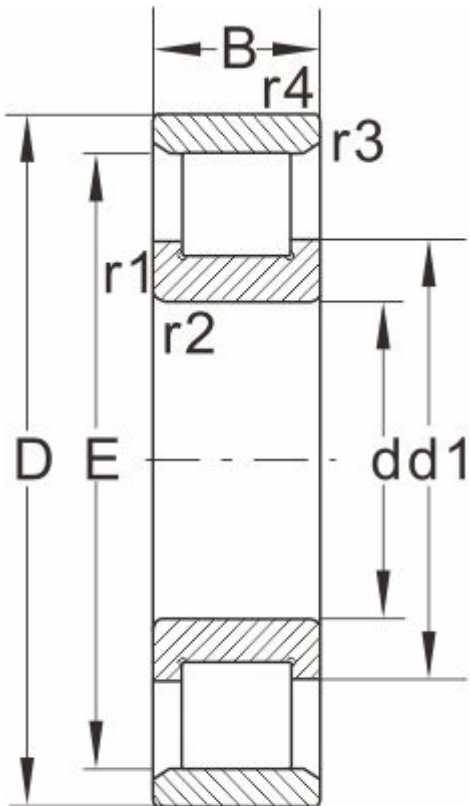


NU252M

Dimensions and Parameters



N....

| | |
|-------------|--------|
| Bearing NO. | NU252M |
|-------------|--------|

Dimension

| | |
|-----------|-----|
| d | 260 |
| D | 480 |
| B | 80 |
| r1 r2 min | 5 |
| r3 r4 min | 5 |
| S ≈ | 5 |

Basic load ratings

| | |
|-------------|------|
| Dynamic(Cr) | 1140 |
| Static(Cor) | 1630 |

Limiting speed(rpm)

| | |
|--------|------|
| Grease | 1200 |
| Oil | 1500 |

Bearing Dimension

| | |
|------|-------|
| E | -- |
| F | 320 |
| d1 ≈ | -- |
| D1 ≈ | 399.3 |

Oblique retaining ring

| | |
|----|----|
| B2 | 18 |
| B3 | 33 |

Weight

| | |
|------------------------|------|
| Bearing | 68.3 |
| Oblique retaining ring | 6.2 |