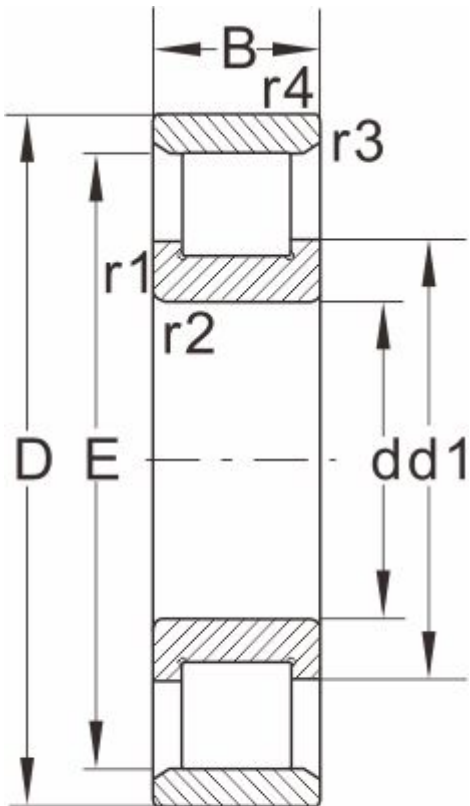


**NU2310E****Dimensions and Parameters**

N....

Bearing NO.	NU2310E
-------------	---------

## Dimension

d	50
D	110
B	40
r1 r2 min	2
r3 r4 min	2
S ≈	4.2

## Basic load ratings

Dynamic(Cr)	163
Static(Cor)	186

## Limiting speed(rpm )

Grease	5300
Oil	6300

## Bearing Dimension

E	--
F	65
d1 ≈	--
D1 ≈	91.4

## Oblique retaining ring

B2	--
B3	--

## Weight

Bearing	0.19
Oblique retaining ring	--