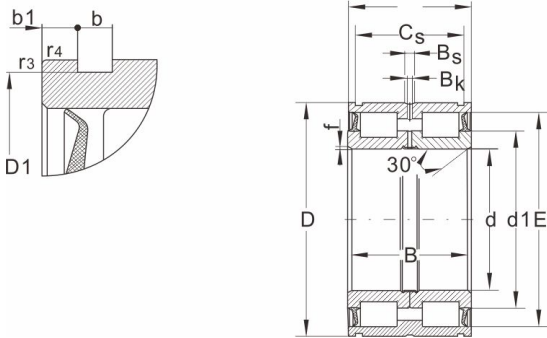


NNF5060.2LS.V**Dimensions and Parameters**

Bearing No.	NNF5060.2LS.V
-------------	---------------

Boundary dimensions [mm]

d	300
D	460
B	218
C	216
CS	185.2
r3,r4 Min	1.1

Basic load ratings (kN)

Dynamic (Cr)	3000
Static (Cor)	5800
Limiting speed (rpm)	340

Bearing dimensions

d1	346.9
D1	453
b	7.3
b1	15.4
Bs	--
Bk	--
f	3
C1 ¹⁾ +0.1	176
C2 ²⁾ +0.1	171

Stop ring

WRE	WRE460
to DIN 471	460×7
Weight	126