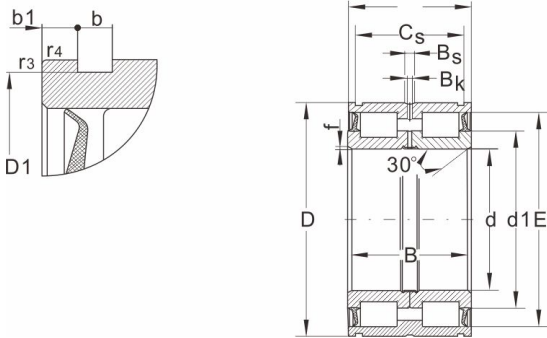


NNF5056.2LS.V**Dimensions and Parameters**

| | |
|-------------|---------------|
| Bearing No. | NNF5056.2LS.V |
|-------------|---------------|

Boundary dimensions [mm]

| | |
|-----------|-------|
| d | 280 |
| D | 420 |
| B | 190 |
| C | 189 |
| CS | 163.2 |
| r3,r4 Min | 1.1 |

Basic load ratings (kN)

| | |
|----------------------|------|
| Dynamic (Cr) | 2600 |
| Static (Cor) | 5200 |
| Limiting speed (rpm) | 380 |

Bearing dimensions

| | |
|-----------------------|------|
| d1 | 321 |
| D1 | 413 |
| b | 7.3 |
| b1 | 12.9 |
| Bs | -- |
| Bk | -- |
| f | 3 |
| C1 ¹⁾ +0.1 | 154 |
| C2 ²⁾ +0.1 | 149 |

Stop ring

| | |
|------------|--------|
| WRE | WRE420 |
| to DIN 471 | 420×7 |
| Weight | 90 |