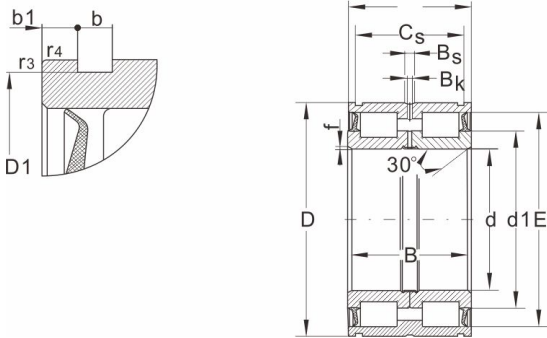


NNF5044.2LS.V**Dimensions and Parameters**

Bearing No.	NNF5044.2LS.V
-------------	---------------

Boundary dimensions [mm]

d	220
D	340
B	160
C	159
CS	138.2
r3,r4 Min	1

Basic load ratings (kN)

Dynamic (Cr)	1510
Static (Cor)	3130
Limiting speed (rpm)	360

Bearing dimensions

d1	264
D1	334
b	6.3
b1	10.4
Bs	8
Bk	6
f	2
C1 ¹⁾ +0.1	130
C2 ²⁾ +0.1	126

Stop ring

WRE	WRE340
to DIN 471	340×6
Weight	53.5