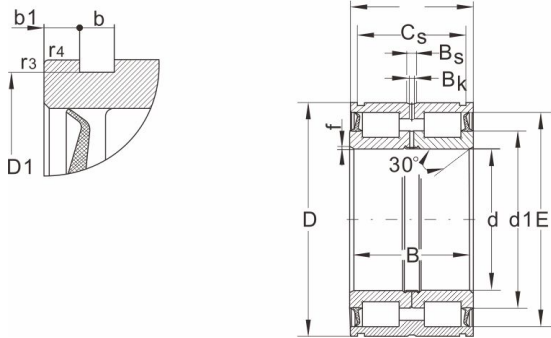


NNF5038.2LS.V**Dimensions and Parameters**

Bearing No.	NNF5038.2LS.V
-------------	---------------

Boundary dimensions [mm]

d	190
D	290
B	136
C	135
CS	118.2
r3,r4 Min	0.6

Basic load ratings (kN)

Dynamic (Cr)	1100
Static (Cor)	2210
Limiting speed (rpm)	430

Bearing dimensions

d1	228
D1	284
b	5.2
b1	8.4
Bs	8
Bk	4
f	2
C1 ¹⁾ +0.1	110
C2 ²⁾ +0.1	108

Stop ring

WRE	WRE290
to DIN 471	290×5
Weight	31.5