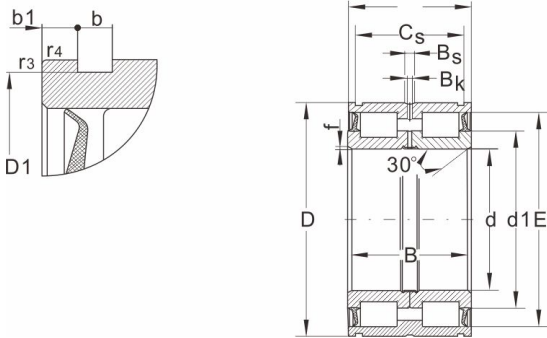


**NNF5026.2LS.V****Dimensions and Parameters**

Bearing No.	NNF5026.2LS.V
-------------	---------------

## Boundary dimensions [mm]

d	130
D	200
B	95
C	94
CS	83.2
r3,r4 Min	0.6

## Basic load ratings (kN)

Dynamic(Cr)	572
Static(Cor)	4050
Limiting speed(rpm)	630

## Bearing dimensions

d1	155
D1	196
b	4.2
b1	5.4
Bs	7
Bk	4
f	1.8
C1 <sup>1)</sup> +0.1	77
C2 <sup>2)</sup> +0.1	75

## Stop ring

WRE	WRE200
to DIN 471	200×4
Weight	10.5