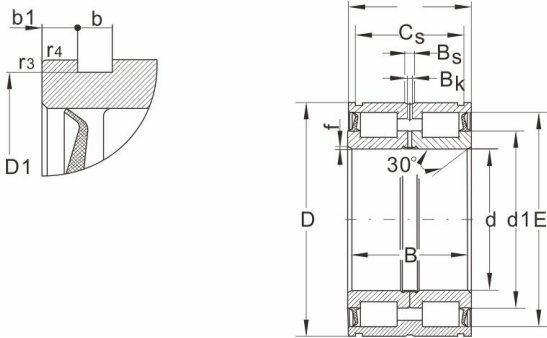


**NNF5020.2LS.V****Dimensions and Parameters**

Bearing No.	NNF5020.2LS.V
-------------	---------------

## Boundary dimensions [mm]

d	100
D	150
B	67
C	66
CS	59.2
r3,r4 Min	0.6

## Basic load ratings (kN)

Dynamic (Cr)	314
Static (Cor)	580
Limiting speed (rpm)	850

## Bearing dimensions

d1	118
D1	147
b	4.2
b1	3.4
Bs	6
Bk	3.5
f	1.5
C1 <sup>1)</sup> +0.1	54
C2 <sup>2)</sup> +0.1	51

## Stop ring

WRE	WRE150
to DIN 471	150×4
Weight	4.05