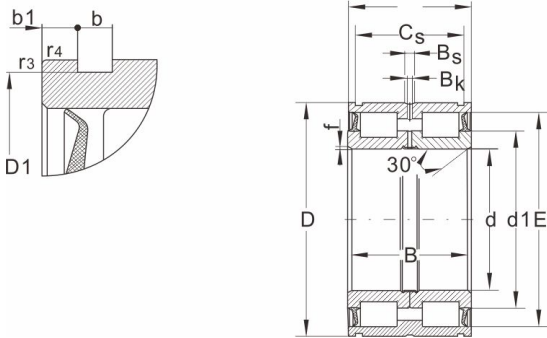


**NNF5019.2LS.V****Dimensions and Parameters**

Bearing No.	NNF5019.2LS.V
-------------	---------------

## Boundary dimensions [mm]

d	95
D	145
B	67
C	66
CS	59.2
r3,r4 Min	0.6

## Basic load ratings (kN)

Dynamic (Cr)	315
Static (Cor)	530
Limiting speed (rpm)	1100

## Bearing dimensions

d1	113.4
D1	142
b	4.2
b1	4.2
Bs	--
Bk	--
f	1.5
C1 <sup>1)</sup> +0.1	54
C2 <sup>2)</sup> +0.1	51

## Stop ring

WRE	WRE145
to DIN 471	145×4
Weight	3.88