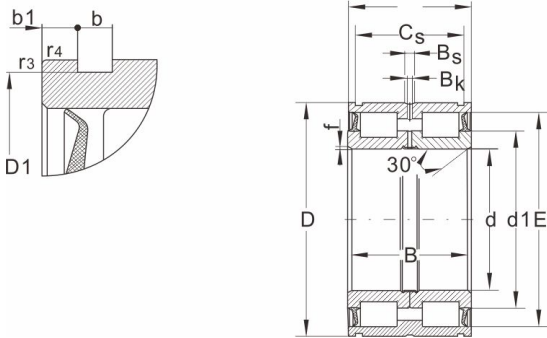


**NNF5017.2LS.V****Dimensions and Parameters**

Bearing No.	NNF5017.2LS.V
-------------	---------------

## Boundary dimensions [mm]

d	85
D	130
B	60
C	59
CS	54.2
r3,r4 Min	0.6

## Basic load ratings (kN)

Dynamic(Cr)	211
Static(Cor)	350
Limiting speed(rpm)	1200

## Bearing dimensions

d1	103.9
D1	127.1
b	4.2
b1	4.2
Bs	--
Bk	--
f	1.5
C1 <sup>1)</sup> +0.1	49
C2 <sup>2)</sup> +0.1	46

## Stop ring

WRE	WRE130
to DIN 471	130×4
Weight	2.83