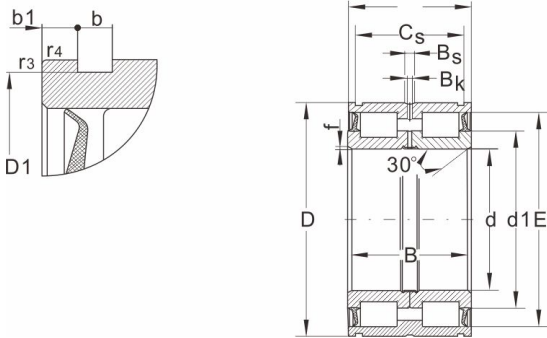


NNF5015.2LS.V**Dimensions and Parameters**

Bearing No.	NNF5015.2LS.V
-------------	---------------

Boundary dimensions [mm]

d	75
D	115
B	54
C	53
CS	48.2
r3,r4 Min	0.6

Basic load ratings (kN)

Dynamic (Cr)	194
Static (Cor)	300
Limiting speed (rpm)	1400

Bearing dimensions

d1	90
D1	112.1
b	4.2
b1	4.2
Bs	--
Bk	--
f	1
C1 ¹⁾ +0.1	43
C2 ²⁾ +0.1	40

Stop ring

WRE	WRE115
to DIN 471	115×4
Weight	1.96