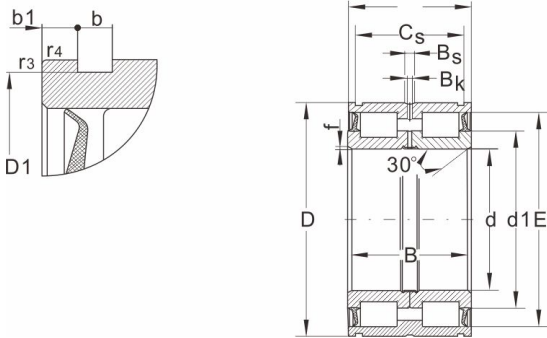


NNF5010.2LS.V**Dimensions and Parameters**

Bearing No.	NNF5010.2LS.V
-------------	---------------

Boundary dimensions [mm]

d	50
D	80
B	40
C	39
CS	34.2
r3,r4 Min	0.6

Basic load ratings (kN)

Dynamic (Cr)	101
Static (Cor)	162
Limiting speed (rpm)	1700

Bearing dimensions

d1	61.2
D1	77.8
b	2.7
b1	2.4
Bs	4.5
Bk	3
f	0.8
C1 ¹⁾ +0.1	30
C2 ²⁾ +0.1	29

Stop ring

WRE	WRE80
to DIN 471	80×2.5
Weight	0.73