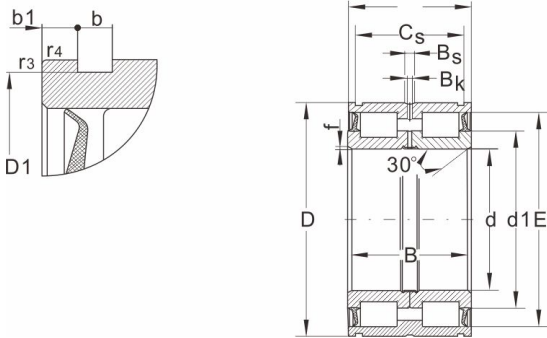


NNF5005.2LS.V**Dimensions and Parameters**

| Bearing No. | NNF5005.2LS.V |
|-------------|---------------|
|-------------|---------------|

Boundary dimensions [mm]

| | |
|-----------|------|
| d | 25 |
| D | 47 |
| B | 30 |
| C | 29 |
| CS | 24.7 |
| r3,r4 Min | 0.3 |

Basic load ratings (kN)

| | |
|----------------------|------|
| Dynamic (Cr) | 44.5 |
| Static (Cor) | 65.3 |
| Limiting speed (rpm) | 3000 |

Bearing dimensions

| | |
|-----------------------|------|
| d1 | 33 |
| D1 | 44.8 |
| b | 1.8 |
| b1 | 2.15 |
| Bs | 4.5 |
| Bk | 3 |
| f | 0.5 |
| C1 ¹⁾ +0.1 | 21.5 |
| C2 ²⁾ +0.1 | 21 |

Stop ring

| | |
|------------|---------|
| WRE | WRE47 |
| to DIN 471 | 47×1.75 |
| Weight | 0.23 |