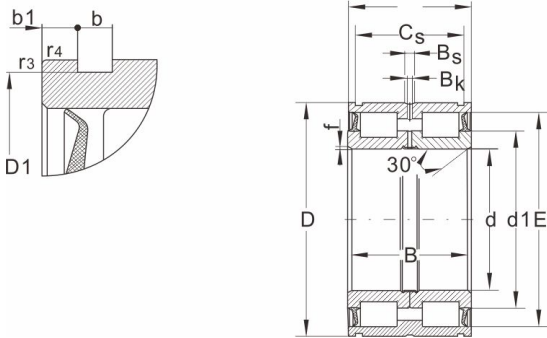


NNF280.2LS.V

Dimensions and Parameters



Bearing No.	NNF280.2LS.V
-------------	--------------

Boundary dimensions [mm]

d	280
D	360
B	95
C	94
CS	83.2
r3,r4 Min	1

Basic load ratings (kN)

Dynamic (Cr)	870
Static (Cor)	2130
Limiting speed (rpm)	430

Bearing dimensions

d1	327
D1	354
b	6.3
b1	5.4
Bs	--
Bk	--
f	3
C1 ¹⁾ +0.1	75
C2 ²⁾ +0.1	71

Stop ring

WRE	WRE360
to DIN 471	360×6
Weight	24