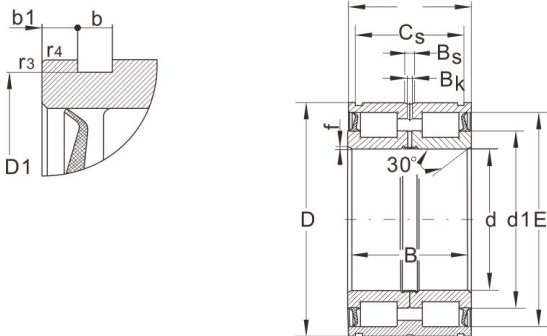


NNF260.2LS.V**Dimensions and Parameters**

| Bearing No. | NNF260.2LS.V |
|-------------|--------------|
|-------------|--------------|

Boundary dimensions [mm]

| | |
|-----------|------|
| d | 260 |
| D | 340 |
| B | 95 |
| C | 94 |
| CS | 83.2 |
| r3,r4 Min | 1 |

Basic load ratings (kN)

| | |
|----------------------|------|
| Dynamic (Cr) | 840 |
| Static (Cor) | 1990 |
| Limiting speed (rpm) | 440 |

Bearing dimensions

| | |
|-----------------------|-------|
| d1 | 292.7 |
| D1 | 334 |
| b | 6.3 |
| b1 | 5.4 |
| Bs | -- |
| Bk | -- |
| f | 3 |
| C1 ¹⁾ +0.1 | 75 |
| C2 ²⁾ +0.1 | 71 |

Stop ring

| | |
|------------|--------|
| WRE | WRE340 |
| to DIN 471 | 340×6 |
| Weight | 22.5 |