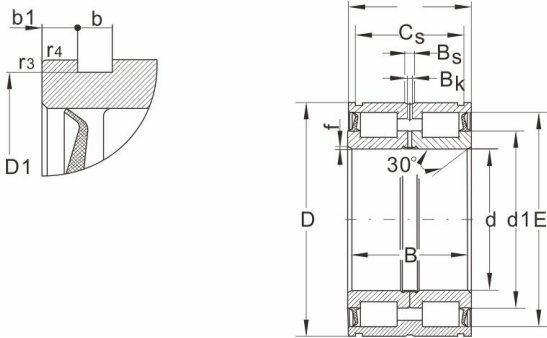


NNF240.2LS.V**Dimensions and Parameters**

Bearing No.	NNF240.2LS.V
-------------	--------------

Boundary dimensions [mm]

d	240
D	320
B	95
C	94
CS	83.2
r3,r4 Min	1

Basic load ratings (kN)

Dynamic(Cr)	740
Static(Cor)	1700
Limiting speed(rpm)	480

Bearing dimensions

d1	271.7
D1	314
b	6.3
b1	5.4
Bs	--
Bk	--
f	2
C1 ¹⁾ +0.1	75
C2 ²⁾ +0.1	71

Stop ring

WRE	WRE320
to DIN 471	320×6
Weight	21