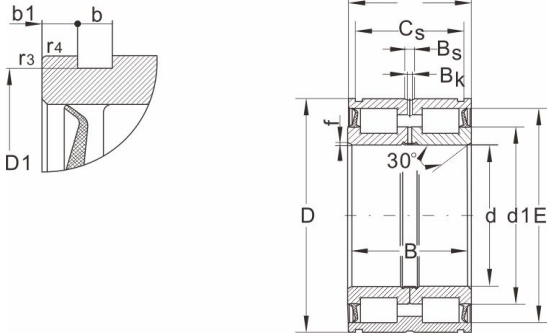


**NNF220.2LS.V****Dimensions and Parameters**

Bearing No.	NNF220.2LS.V
-------------	--------------

## Boundary dimensions [mm]

d	220
D	300
B	95
C	94
CS	83.2
r3,r4 Min	1

## Basic load ratings (kN)

Dynamic (Cr)	700
Static (Cor)	1550
Limiting speed (rpm)	480

## Bearing dimensions

d1	249
D1	294
b	5.2
b1	5.4
Bs	--
Bk	--
f	2
C1 <sup>1)</sup> +0.1	75
C2 <sup>2)</sup> +0.1	73

## Stop ring

WRE	WRE300
to DIN 471	300×5
Weight	19.5