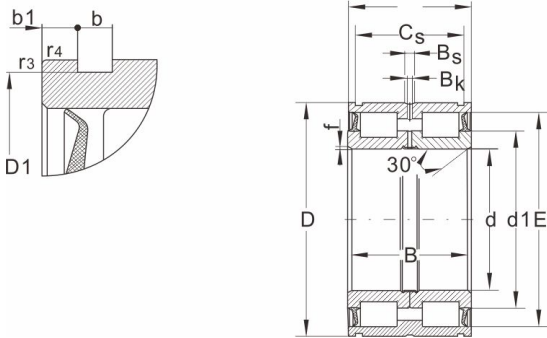


**NNF200.2LS.V****Dimensions and Parameters**

Bearing No.	NNF200.2LS.V
-------------	--------------

## Boundary dimensions [mm]

d	200
D	270
B	80
C	79
CS	73.2
r3,r4 Min	0.6

## Basic load ratings (kN)

Dynamic (Cr)	540
Static (Cor)	1210
Limiting speed (rpm)	550

## Bearing dimensions

d1	227.2
D1	264
b	5.2
b1	2.9
Bs	--
Bk	--
f	1.8
C1 <sup>1)</sup> +0.1	65
C2 <sup>2)</sup> +0.1	63

## Stop ring

WRE	WRE270
to DIN 471	270×5
Weight	13.2