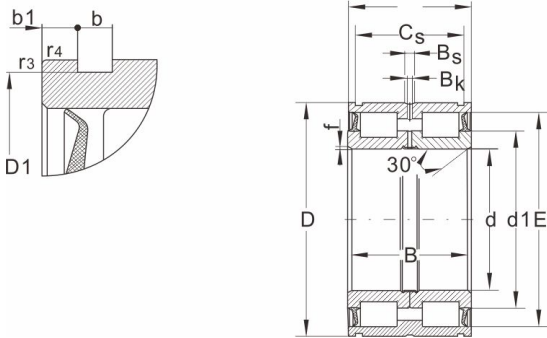


NNF190.2LS.V

Dimensions and Parameters



Bearing No.	NNF190.2LS.V
-------------	--------------

Boundary dimensions [mm]

d	190
D	260
B	80
C	79
CS	73.2
r3,r4 Min	0.6

Basic load ratings (kN)

Dynamic (Cr)	520
Static (Cor)	1130
Limiting speed (rpm)	550

Bearing dimensions

d1	217.6
D1	254
b	5.2
b1	2.9
Bs	--
Bk	--
f	1.8
C1 ¹⁾ +0.1	65
C2 ²⁾ +0.1	63

Stop ring

WRE	WRE260
to DIN 471	260×5
Weight	12.7