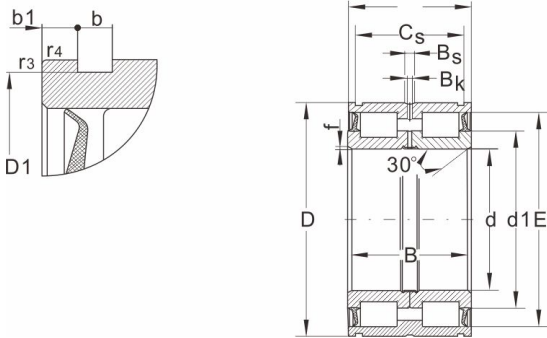


NNF180.2LS.V

Dimensions and Parameters



Bearing No.	NNF180.2LS.V
-------------	--------------

Boundary dimensions [mm]

d	180
D	240
B	80
C	79
CS	71.2
r3,r4 Min	0.6

Basic load ratings (kN)

Dynamic(Cr)	500
Static(Cor)	1080
Limiting speed(rpm)	600

Bearing dimensions

d1	203
D1	203.1
b	5.2
b1	3.9
Bs	--
Bk	--
f	1.8
C1 ¹⁾ +0.1	65
C2 ²⁾ +0.1	61

Stop ring

WRE	WRE240
to DIN 471	240×5
Weight	9.8