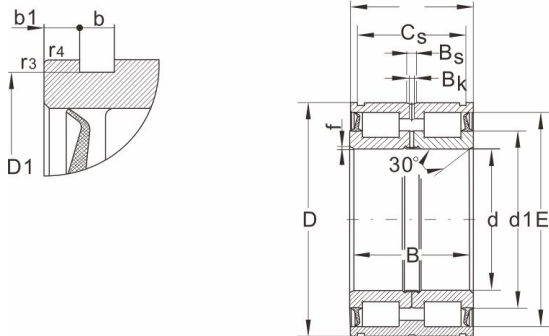


NNF150.2LS.V**Dimensions and Parameters**

Bearing No.	NNF150.2LS.V
-------------	--------------

Boundary dimensions [mm]

d	150
D	210
B	80
C	79
CS	71.2
r3,r4 Min	0.6

Basic load ratings (kN)

Dynamic (Cr)	465
Static (Cor)	920
Limiting speed (rpm)	700

Bearing dimensions

d1	174.4
D1	206
b	5.2
b1	3.9
Bs	--
Bk	--
f	1.8
C1 ¹⁾ +0.1	65
C2 ²⁾ +0.1	61

Stop ring

WRE	WRE210
to DIN 471	210×5
Weight	8.4