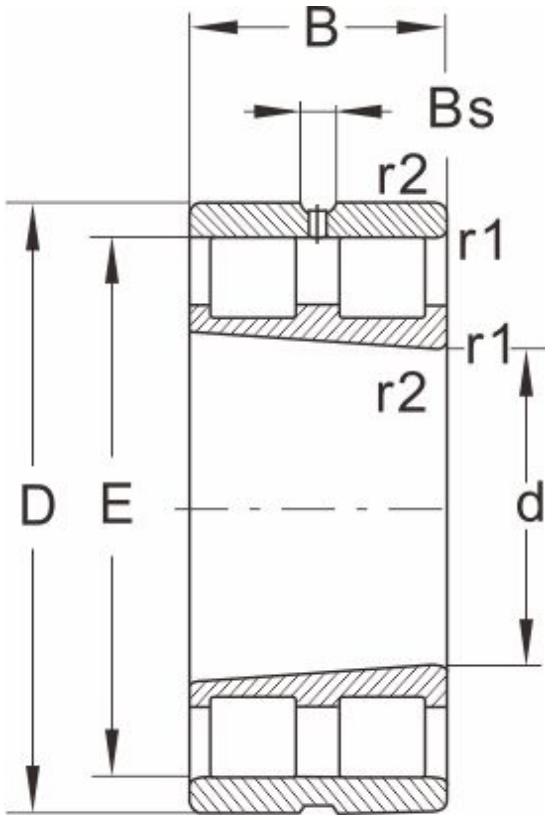


# NN48/750K30/HB1/W33

## Dimensions and Parameters



NN...K/W33

Bearing No.	NN48/750K30/HB1/W33
Boundary dimensions(mm)	
d	750
D	920
B	170
r1 r2 min	--
Basic load ratings(kN)	
Dynamic(Cr)	3690
Static(Cor)	10200
Limiting speed(rpm)	
Grease	--
Oil	600
Bearing dimension	
E	879
F	--
Bs ≈	22.3
S ≈	6.7
Weight (kg)	240