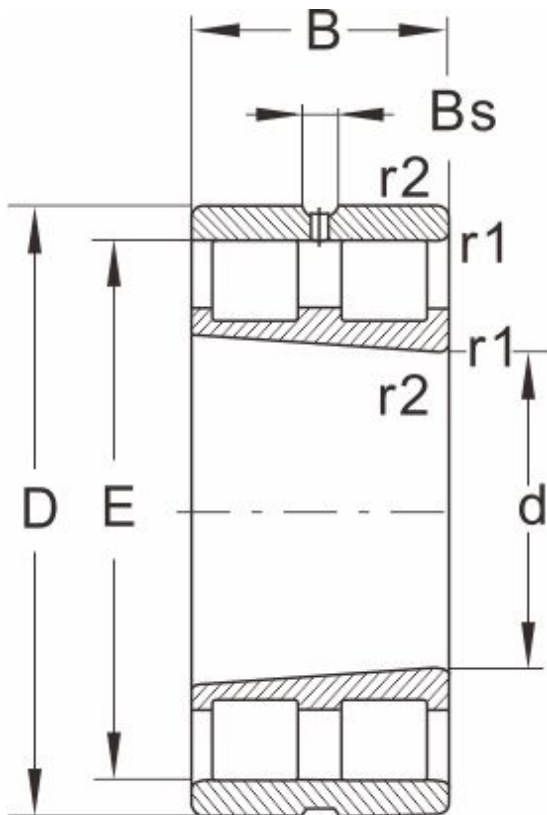


# NN 3030 K/M/W33

## Dimensions and Parameters



NN...K/W33

Bearing No.	NN 3030 K/M/W33
Boundary dimensions(mm)	
d	150
D	225
B	56
r1 r2 min	2
Basic load ratings(kN)	
Dynamic(Cr)	335
Static(Cor)	585
Limiting speed(rpm)	
Grease	3400
Oil	4000
Bearing dimension	
E	206
F	--
Bs ≈	9.5
S ≈	3.7
Weight (kg)	7.9