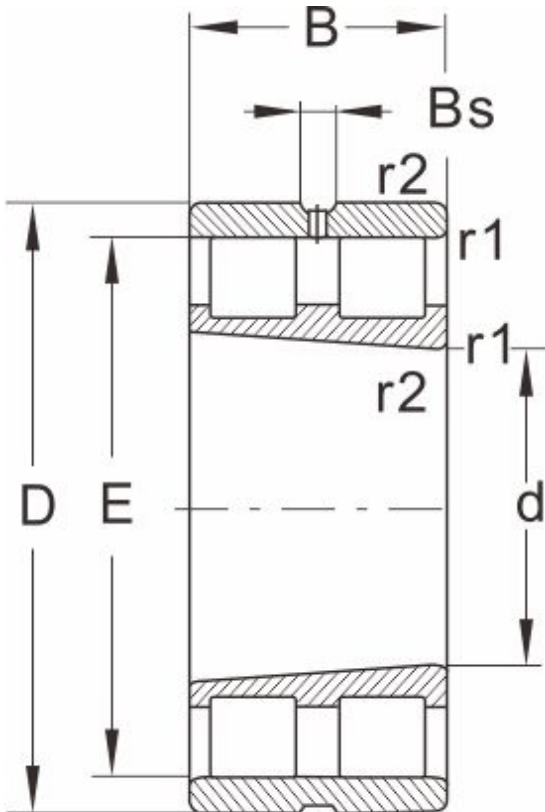


NN 3024 K/M/W33

Dimensions and Parameters



NN...K/W33

Bearing No.	NN 3024 K/M/W33
Boundary dimensions(mm)	
d	120
D	180
B	46
r1 r2 min	2
Basic load ratings(kN)	
Dynamic(Cr)	232
Static(Cor)	390
Limiting speed(rpm)	
Grease	4300
Oil	5000
Bearing dimension	
E	165
F	--
Bs ≈	6.5
S ≈	3.1
Weight (kg)	4.1