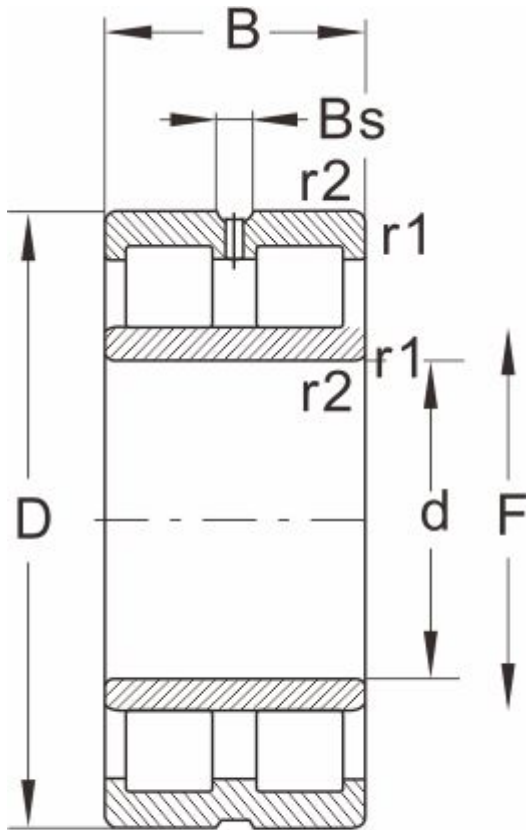


NN 3022 M/W33

Dimensions and Parameters



NNU...W33

Bearing No.	NN 3022 M/W33
Boundary dimensions(mm)	
d	110
D	170
B	45
r1 r2 min	1.1
Basic load ratings(kN)	
Dynamic(Cr)	220
Static(Cor)	360
Limiting speed(rpm)	
Grease	4500
Oil	5300
Bearing dimension	
E	155
F	--
Bs ≈	6.5
S ≈	2.8
Weight (kg)	3.8